



Model Number

ANT2-8 2084/85 V1

Features

- Inductive analog
- Output 0 V ... 10 V
- Output 0 mA ... 20 mA
- Non-flush mountable

Technical Data

General specifications

Output type	Analog current output or analog voltage output
Installation	non-flush
Output polarity	DC
Measurement range	2 ... 8 mm
Output type	3-wire

Nominal ratings

Operating voltage	U_B	18 ... 30 V
Output signal		0 ... 20 mA 0 ... 10 V
Reverse polarity protection		reverse polarity protected
Linearity error		$\pm 0.5\%$
Temperature drift		$\leq 0.2\%$ / K v.E.
Repeat accuracy		< 0.02 mm
No-load supply current	I_0	≤ 15 mA
Load resistor		voltage output: $\geq 4,7$ k Ω current output: ≤ 200 Ω

Ambient conditions

Ambient temperature	-25 ... 70 °C (-13 ... 158 °F)
---------------------	--------------------------------

Mechanical specifications

Connection type	M12 x 1
Housing material	brass, nickel-plated
Sensing face	PBT
Degree of protection	IP67

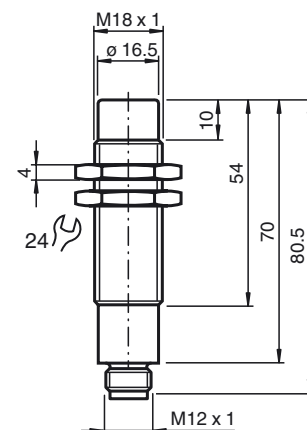
Compliance with standards and directives

Standard conformity	
Standards	EN 60947-5-2:2007 IEC 60947-5-2:2007 EN 60947-5-7:2003 IEC 60947-5-7:2003

Approvals and certificates

CCC approval	CCC approval / marking not required for products rated ≤ 36 V
--------------	--

Dimensions



Electrical Connection

